

Electric strike compatibility

Although recommended for use with ASSA lockcases, ASSA SOLID Electric Strikes can be used with other makes of lock. Consult your stockist for suitability. The ANSI Strike is designed to fit locks commonly found in narrow section aluminium doors.

For more detailed information on ASSA lockcases please refer to the separate Lockcases section. No ASSA lockcases other than those mentioned here are suitable for use with ASSA SOLID Electric Strikes.

ASSA LOCK	ELECTRIC STRIKES BY FACEPLATE TYPE											Smart-air	Codoor (70mm backset only)
	High security		Hookbolt strike	Deadbolt strike	Universal			Medium security		Euro Strikes			
	13	16, 24 823	183, 184 283, 284	625 635	732 733	730 731	ANSI	5 10	505 510	Short	Long		
Nightlatches, emergency nightlatches & double nightlatches – Connect & Modular													
230 / 231 / 232	●	✓	✗	✗	✓	●	●	●	✓	✗	✗	✗	✗
5784 / 5785 / 6785	●	✓	✗	✗	✓	●	●	●	✓	✗	✗	✗	✗
6780	✓	✓	✗	✗	✓	●	✓	✓	✓	✗	✗	✗	✗
235	●	✓	✗	✗	✓	●	●	●	✓	✗	✗	✗	✗
8760 / 8764	●	✓	✗	✗	✓	●	●	●	✓	✗	✗	✗	✗
236 / 234	●	✓	✗	✗	✓	●	●	●	✓	✗	✗	✓	✓
8761 / 8762	●	✓	✗	✗	✓	●	●	●	✓	✗	✗	✓	✓
8759	✓	✓	✗	✗	✓	●	✓	✓	✓	✗	✗	✓	✓
220 / 221	✗	✗	✗	✗	✗	✓	✗	✗	✗	✗	✗	✓	✓
760 / 762 / 1760	✗	✗	✗	✗	✗	✓	✗	✗	✗	✗	✗	✓	✓
Split follower locks – Connect & Modular													
620 / 624 & 500	✗	✗	✗	✗	✗	✓	✗	✗	✗	✗	✗	✗	✓
640	✗	✗	✓	✗	✗	✓	✗	✗	✗	✗	✗	✗	✓
1520	✗	✗	✗	✗	✗	✗	✗	✗	✗	✗	✗	✗	✓
Sash locks – Connect & Modular													
310	✗	✗	✓	✗	✗	✗	✗	✗	✗	✗	✗	✓	✓
410 / 2002 / 710	✗	✗	✓	✗	✗	✗	✗	✗	✗	✗	✗	✗	✗
765	✗	✗	✗	✓	✗	✓	✗	✗	✗	✗	✗	✓	✓
8765 / 2000	✗	✗	✗	✓	✗	●	✗	✗	✗	✗	✗	✗	✗
340	✗	✗	✗	✗	✗	✗	✗	✗	✗	✗	✗	✓	✗
Deadlocks – Connect & Modular													
311 / 411 / 711	✗	✗	✓	✗	✗	✗	✗	✗	✗	✗	✗	✗	✗
2788 / 9788	✗	✗	✗	✓	✗	✗	✗	✗	✗	✗	✗	✗	✗
Latches													
212 & 1498 & 3098	✓	✓	✗	✗	✓	●	✓	✓	✓	✗	✗	✗	✗
Compact nightlatches													
3084 / 3085	●	✓	✗	✗	✓	●	●	●	✓	✗	✗	✗	✗
3059	✓	✓	✗	✗	✓	●	✓	✓	✓	✗	✗	✗	✗
3061 / 3062	●	✓	✗	✗	✓	●	●	●	✓	✗	✗	✗	✗
Narrow profile nightlatches													
1361 / 1385	●	✓	✗	✗	✓	●	●	●	✓	✗	✗	✗	✗
Small case lock													
785	●	✓	✗	✗	●	●	●	●	✓	✗	✗	✗	✗
Euro D450 locks													
D4522 / D452	✗	✗	✗	✗	✗	✗	✗	✗	✗	✓	●	✗	✗
D455 / D453 / D458	✗	✗	✗	✗	✗	✗	✗	✗	✗	✗	✓	✗	✗

✓ Fully Compatible ● Not Fully Compatible ✗ Not compatible

Although the lock may be used with this strike, not all the features will be available. Therefore this combination is not recommended.

Finishes

In the increasingly polluted atmosphere in which we live, the demands on products to resist corrosion are particularly high.

ASSA products have the benefit of the latest automatic plating equipment which incorporates the best of modern plating processes. This ensures that the quality of the finish is always guaranteed.

- ✓ Standard finish
- Special finish

	Satin chrome Fin 13	Satin aluminium Fin 17	Stainless steel Fin 19	Polished brass Fin 20	Satin brass Fin 21	Bright zinc Fin 57	Black Fin 64	White Fin 85
High sec/fail safe strikes						✓		
Hookbolt & deadbolt strikes			✓					
Medium sec/universal strikes						✓		
Euro strikes						✓		
Connect locks	●					✓		
Door magnets		✓						
SOLICODE							✓	✓
Smartair			✓	●				
Codoor			✓					
Microswitched lockcases	●			●				

Operating requirements

Electric strikes

Suitable for use on external doors.

Fitting requirements

The gap between the electric strike and door frame should be 3mm ±1mm.

Ensure that the lockcase anti-thrust bolt is held in by the strike faceplate when the door is closed.

Electric cabinet locks

For internal use only.

For use in dry environments.

Temperature range, 1048: -20°C to +60°C.

Temperature range, 1049: +10°C to +40°C

Fitting requirements

Lock fits to frame and rosette to door or drawer. Minimum 250mm between hinges and position of rosette on hinged doors.

Connect locks & DAC430

Lockcases suitable for use on external doors.

20% to 90% relative humidity.

Temperature range -40°C to +70°C.

DAC430 control unit for internal use.

Temperature range +5°C to +40°C.

Fitting requirements

Connect lockcases will operate with a frame pressure of up to 10 N. DAC430 should be fitted with the cabling supplied in a secure location to guard against tampering.

Magnets & door releases

Suitable for use on external doors (except M8000/M8005, which are suitable for internal use only.)

M8011/M8022 are suitable for heavy doors and perimeter doors.

M8065 weatherproof magnets are IP65 rated, dust-tight and suitable for use in locations exposed to heavy water spray.

M8031X002 is recommended for mortice fixing only.

Casing is anodised aluminium (except M8031X002 - nickel plating with black powder coated housing).

ASSA Elva

Suitable for use on perimeter doors, provided the unit is shielded from extremes of weather.

For use in dry environments. Temperature range +15°C to +50°C.

Smartair

Suitable for use in humidity up to 85% (non-condensing), external temperature -20°C to +70°C, internal temperature +0°C to +50°C.

External version is IP-54 rated.

Codoor

For internal use only.

For use in dry environments.

Temperature range +0°C to +50°C.

Fitting requirements

Must be mounted vertically on the flat surface of the door.

Ensure screws are not over-tightened or spindle is too long.

Ensure that the square red cutout on the spindle follower is fitted pointing downwards.

SOLICODE

Suitable for use on external doors, provided the unit is shielded from extremes of weather. IP-54 rated.

Fitting requirements

Ensure that power cables are shielded and kept separate from data cables. A weather shield is recommended when fitted externally.

Microswitches

Suitable for use on external doors.

Temperature range -54°C to +85°C.

Fitting requirements

Microswitched lockcases are the same dimensions as the standard product. However, additional space should be allowed in the mortice of the door to accommodate the cables.

Electrical details

See page 5:33 for details of power supply units.

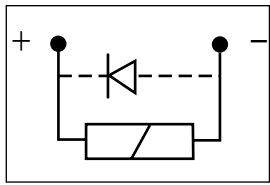
Most ASSA access control equipment is tolerant of a wide range of voltages, giving increased flexibility when specifying and installing the products.

Product	Power supply	Current usage		Notes
		12V	24V	
High security electric strike - fail locked	12 V or 24 V DC	300 mA	160 mA	Continuous duty rated (DC).
High security electric strike - fail safe	12 V or 24 V DC	490 mA	230 mA	Continuous duty rated (DC).
Hookbolt electric strike	12 V or 24 V DC	540 mA	270 mA	Continuous duty rated (DC).
Deadbolt electric strike	12 V or 24 V DC	340 mA	170 mA	Continuous duty rated (DC).
Universal electric strike	12-24 V AC or DC	340 mA – 105 mA		Continuous duty rated (DC).
Medium security electric strike	12 V or 24 V DC	190 mA	110 mA	Continuous duty rated (DC).
Euro electric strike	12 V or 24 V DC	270 mA	120 mA	Continuous duty rated (DC).
Magnet	12 V or 24 V DC	450 mA	230 mA	Continuous duty rated. Current consumption for M8022 double magnet is twice that listed.
Weatherproof magnet	12 V or 24 V DC	500 mA	250 mA	Continuous duty rated (DC).
Shearmagnet	12 V or 24 V DC	300 mA – 1500 mA	200 mA – 700 mA	Continuous duty rated (DC).
Door release 800N	24 V DC	n/a	60 mA	Mechanical override version available.
Door release 1100N	24 V DC	n/a	100 mA	
Electric cabinet lock 1048	12-24 V AC or DC (DC recommended)	900 mA	450 mA	Monitored version available.
Electric cabinet lock 1049	12-24 V AC or DC (DC recommended)	260 mA	130 mA	Monitored version available.
Connect solenoid handle lock	12 V or 24 V DC	130 mA	60 mA	Continuous duty rated (DC).
Connect serial motor lock	17-24 V AC or DC (or 12V DC stabilised)	800 mA – 350 mA		Relay load 1 A max. Peak load 800 mA is for 0.1s.
ASSA Elva	4 x 1.5 V AA batteries (standard alkaline)	n/a	n/a	Features low battery warning.
Smartair	3 x 1.5 V AAA batteries (standard alkaline)	n/a	n/a	Features low battery warning.
Smartair Wireless	2 x 1.5 V AA batteries (standard alkaline)	n/a	n/a	Features low battery warning.
Codoor	2 x 9 V PP3 batteries (Lithium recommended)	n/a	n/a	Lithium batteries available from ASSA stockists. Features low battery warning and power shut-off.
SOLICODE	12-24 V AC or DC	100 mA – 10 mA		1 A / 24 V output.

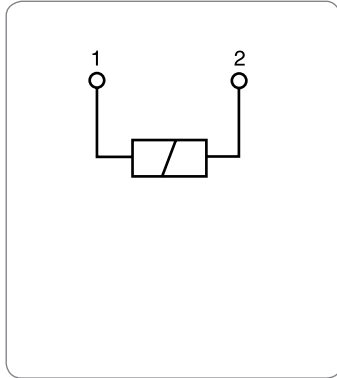
Electrical details

On electric strikes, we recommend fitting a diode or rectifier between the power supply unit and the electric strike. A diode must be fitted to Medium Security strikes.

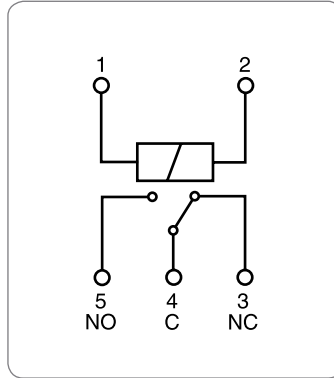
However, a separate diode is not required on Hookbolt, Deadbolt and Universal strikes.



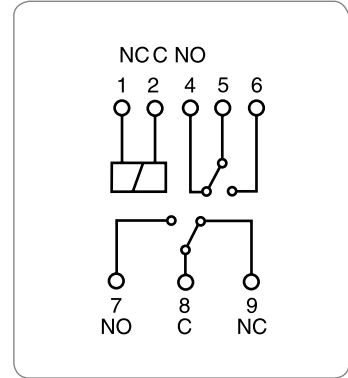
For wiring details of Connect, SOLICODE and SOLICARD see relevant pages.



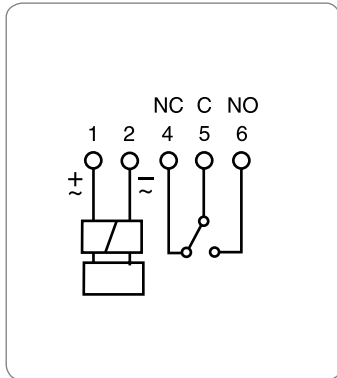
Unmonitored electric strike



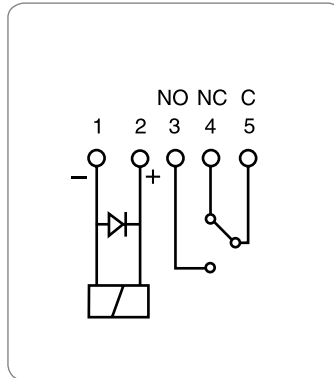
Monitored electric strike



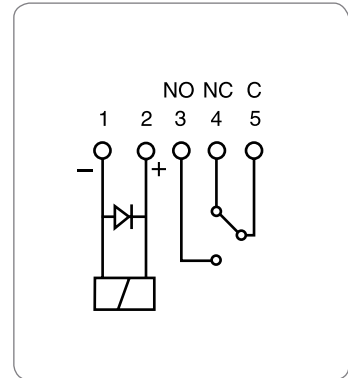
Double monitored electric strike 8131E



Universal strike
(Terminal 3 not used)



Deadbolt strike
(Terminals 6, 7, 8 not used)



Door magnet

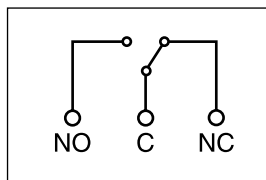
Operating requirements

All microswitches are of the single-pole double-throw type. They may therefore be connected in either the normally-open or normally-closed position.

Microswitches in SOLID strikes have a maximum power rating of 1 A at 24 V DC.

Microswitches in ASSA Connect solenoid handle locks have a maximum power rating of 100 mA at 50 V DC.

Microswitches in mechanical lockcases have a maximum power rating of 2A at 24V DC.



CONTACT FUNCTIONS
 NO = Normally open (BLUE)
 NC = Normally closed (YELLOW)
 C = Common (RED)